

MEDIAGUIDE



FIS WORLD CUP
SKIFLYING
OBERSTDORF
22th - 25th FEBRUARY 2024



Organizational matters

FIS Skiflying Worldcup



Oberstdorf Haus

- Team Captains Meeting
- Race office
- accreditation
- OC- office

Kurpark Oberstdorf

- Winners ceremony (Saturday)

Heini-Klopfer-Skiflugarena

- competitions
 - Press center
 - TV-Compound
- 



OC-Office / Accreditation

Your personal accreditation for press and media representatives is available at the accreditation office in

Oberstdorf Haus, Prinzregentenplatz 1, 87561 Oberstdorf

Opening hours

Thursday, 23.01.2025	08:00 - 18:00
Friday, 24.01.2025	08:00 - 18:00
Saturday, 25.01.2025	09:00 - 20:00
Sunday, 26.01.2025	09:00 - 14:00

Media parking lot



- Schneckenmoos

From there it is a 5-minute walk to the Heini-Klopfer ski jump

Alternatively: With the media shuttle from Oberstdorf Haus

Parking Lot Overview

Media
M2024

SENIORWELTCUP SKIFLIEGEN
FIS WELTCUP SKIFLIEGEN
OBERSTDORF 2024

Phone: _____
License Plate: _____

ORGA
ORG2024

SENIORWELTCUP SKIFLIEGEN
FIS WELTCUP SKIFLIEGEN
OBERSTDORF 2024

Phone: _____
License Plate: _____

TEAM
TE2024

SENIORWELTCUP SKIFLIEGEN
FIS WELTCUP SKIFLIEGEN
OBERSTDORF 2024

Phone: _____
License Plate: _____

TURM
T2024

SENIORWELTCUP SKIFLIEGEN
FIS WELTCUP SKIFLIEGEN
OBERSTDORF 2024

Phone: _____
License Plate: _____

Stadion Anlieferung
X2024

SENIORWELTCUP SKIFLIEGEN
FIS WELTCUP SKIFLIEGEN
OBERSTDORF 2024

Phone: _____
License Plate: _____

Stadion
S2024

SENIORWELTCUP SKIFLIEGEN
FIS WELTCUP SKIFLIEGEN
OBERSTDORF 2024

Phone: _____
License Plate: _____

TV Compound
TV2024

SENIORWELTCUP SKIFLIEGEN
FIS WELTCUP SKIFLIEGEN
OBERSTDORF 2024

Phone: _____
License Plate: _____

VIP
VIP2024

SENIORWELTCUP SKIFLIEGEN
FIS WELTCUP SKIFLIEGEN
OBERSTDORF 2024

Phone: _____
License Plate: _____

ALL
G2024

SENIORWELTCUP SKIFLIEGEN
FIS WELTCUP SKIFLIEGEN
OBERSTDORF 2024

Phone: _____
License Plate: _____

Image © 2016 DigitalGlobe

© SPOT IMAGE
Image © 2016 DigitalGlobe

Schedule



Friday, 24.01.2025

13.00
14:30
17:00

Qualification

Stadium admission
official Training for all athletes (2 rounds)
Qualification

Saturday, 25.01.2025

12.00
15.00
16.30
followed by
followed by
19.30

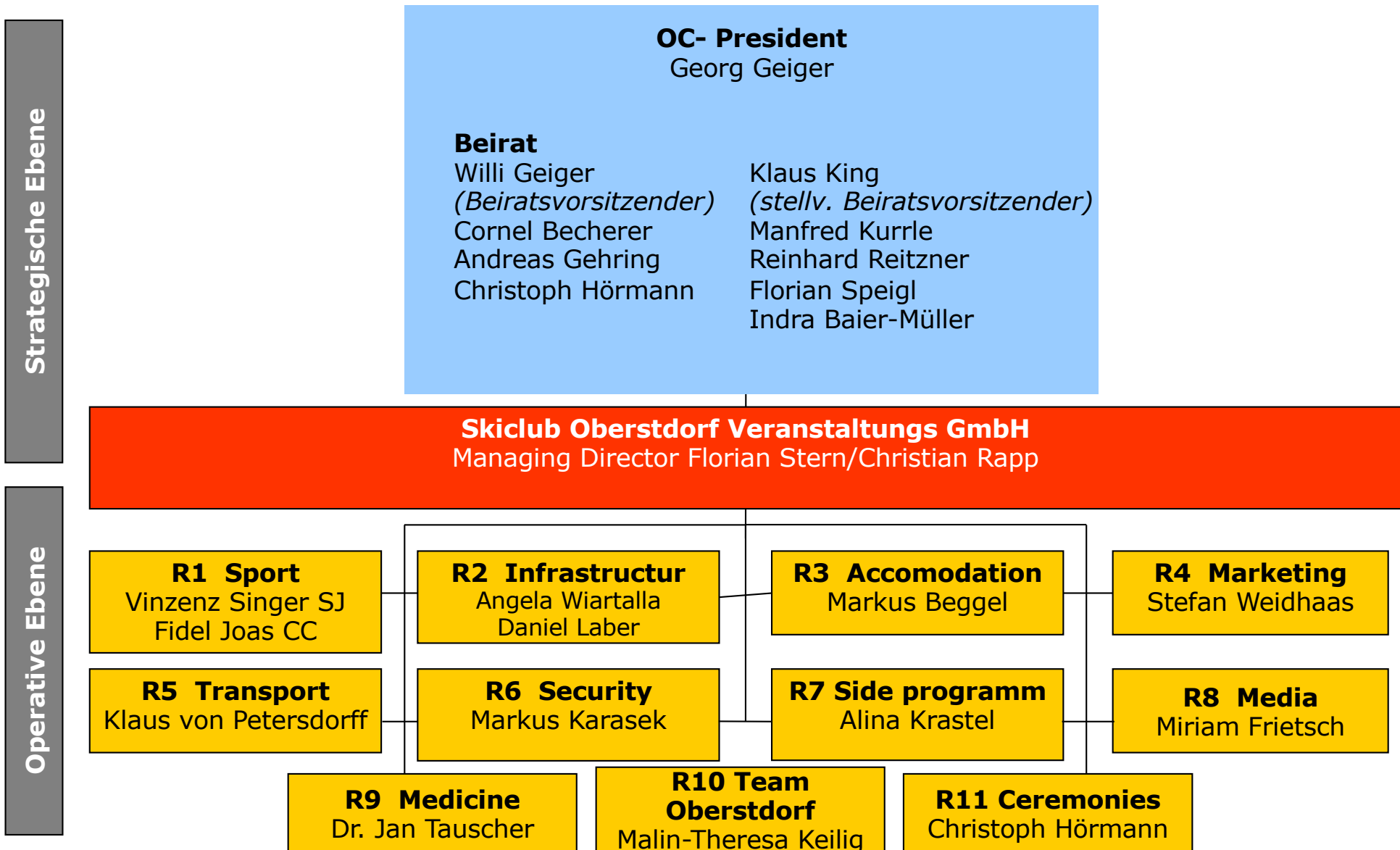
Stadium admission
Trial round
1st competition round
Final round
Flower Ceremony at the stadium
award ceremony in the Kurpark Oberstdorf

Sunday, 26.01.2025

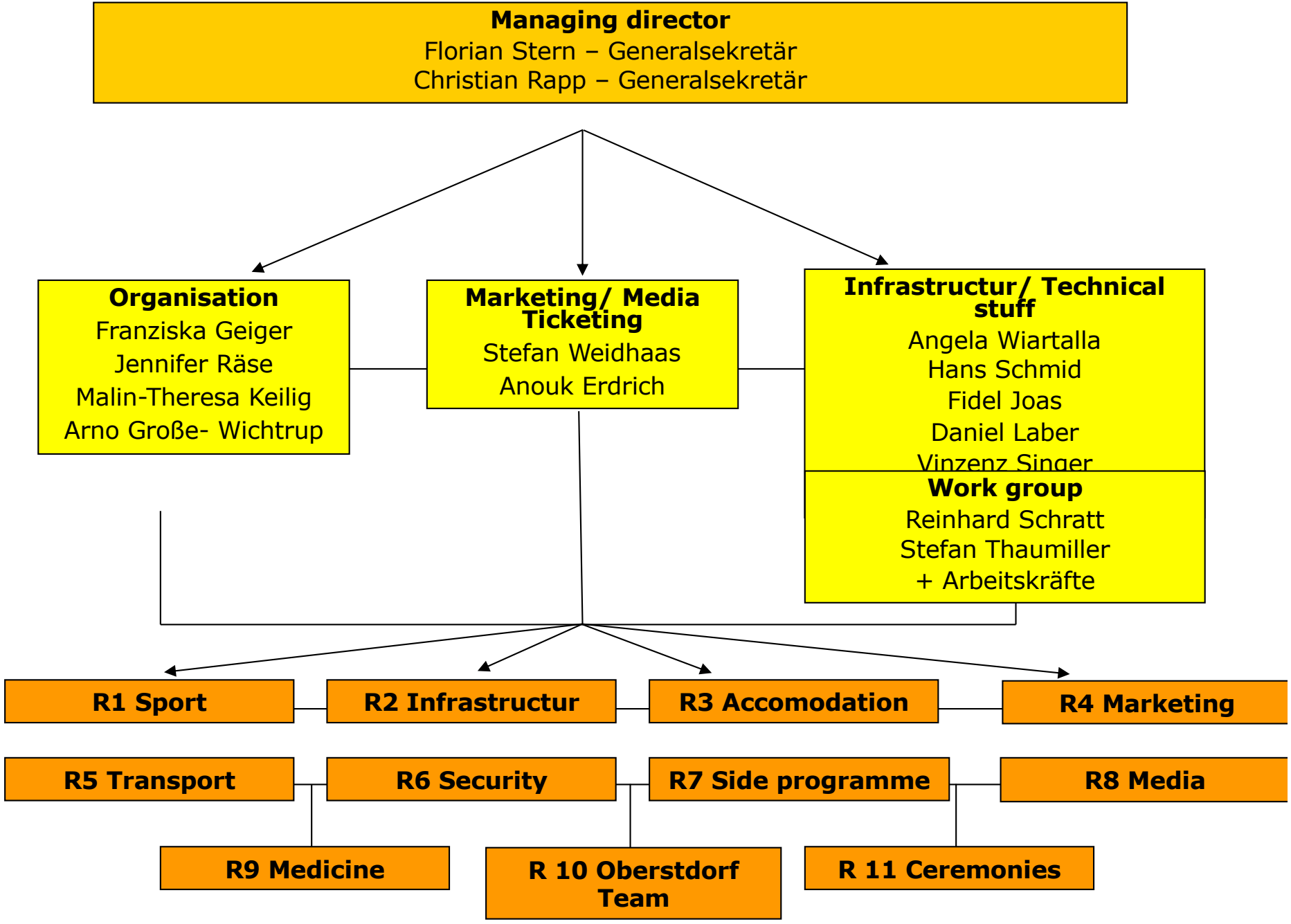
12.00
14.15
16.00
followed by
followed by

Stadium admission
Qualification
1st competition round
final round
award ceremony in the stadium

Organizational structure



Operative Ebene





SPORT

Ski Flying Hill - Certificate



No. FLY I / GER
CERTIFICATE OF JUMPING HILL
CERTIFICAT DE CONFORMITE
SCHANZENPROFILBESTÄTIGUNG

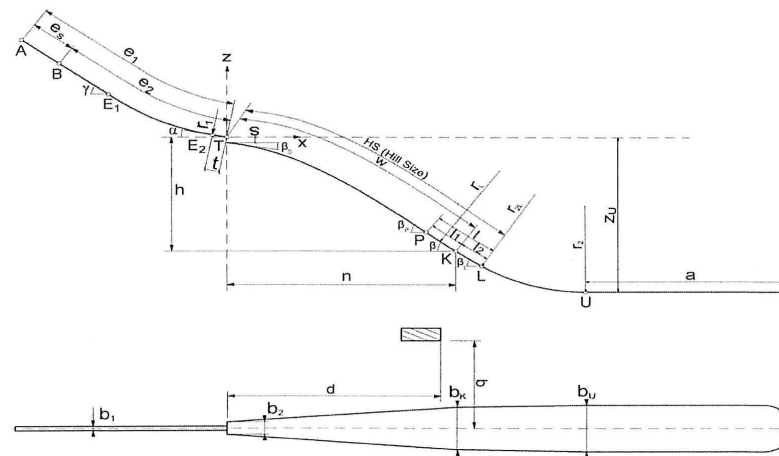
Date of issue 16.11.2023
 Établi le
 Ausgestellt am

Valid till 30.04.2028
 Valable jusqu' au
 Gültig bis

Place: Oberstdorf

Name: Heini-Klopfer

HS = 235 m h/n 0,605 Vo = 30,00 m/s



$e_1 = 118,00 \text{ m}$	$l_1 = 28,80 \text{ m}$	$P = 171,00 \text{ m}$
$e_2 = 94,00 \text{ m}$	$l_2 = 35,00 \text{ m}$	$K = 200,00 \text{ m}$
$e_s = 24,00 \text{ m}$ 49 gates, à 50cm	$a = 88,00 \text{ m}$	$L = 235,00 \text{ m}$
$t = 8,50 \text{ m}$	sloping up after "U" with $r.= 224,5\text{m}$	$b_1 = 2,50 \text{ m}$
$\gamma = 38,70^\circ$	$\beta_p = 36,90^\circ$	$b_2 = 8,00 \text{ m}$
$\alpha = 11,20^\circ$	$\beta = 33,90^\circ$	$b_k = 37,64 \text{ m}$
$r_1 = 225-130 \text{ m}$	$\beta_L = 31,40^\circ$	$b_U = 37,64 \text{ m}$
$h = 103,10 \text{ m}$	$r_{1L} = 500,00 \text{ m}$	$d = 26,00 \text{ m}$
$n = 170,30 \text{ m}$	$r_{2L} = 150,00 \text{ m}$	$q = 123,00 \text{ m}$
$s = 3,40 \text{ m}$ snow-profile	$r_2 = 100,00 \text{ m}$	$Z_u = 135,00 \text{ m}$

FIS Officials

Racedirector:	Sandro Pertile, FIS
Assistant:	Borek Sedlak, FIS
TD:	Aljosa Dolhar, SLO
TD-Assistant:	Ivo Greger, CZE Kristian Brenden, NOR
FIS Material control:	Christian Kathol, FIS Catrin Schmid, FIS
FIS Press Service:	Nilgen Horst, FIS
FIS Judges:	Werner Hellauer, GER Kelly Johansson, CAN Giovanna Comina, ITA Hideki Akimoto, JPN Kazimierz Bofia, POL



Sportorganisation

Rennleiter:	Späth Georg
Rennsekretär:	Marton Wolfgang
Schanzenchef:	Singer Vinzenz
Chef Stadiontechnik:	Laber Daniel
Chef Anlauf:	Schmid Albert
Arbeitsgruppe Anlauf:	Matejka Christian
Schneebläser:	Saumweber Robert / Marcus Marcher
Starter:	Weber Jörg / Loskarn Michael
Chef Auslauf:	Geiger Magnus / Kiesel Matthias
Präparierung Auslauf:	Thaumiller Stefan
Tretkommando:	Niederacher Linus / Adelgoß Matthias
Vorspringer:	Dreher Michael
Materialkontrolle Auslauf:	Vogler Alexandra / Molz Jenny
Weitenmesser:	Thannheimer Michael / Simbeck Ludwig
Sanitätswesen:	Dr. Tauscher Jan
Anti-Doping:	Roth Ralf/ Hailer Markus
Aufbau ST Sportservice:	Speiser Thomas
Ergebnisdienst:	Landerer Andreas
Athletendorf:	Haimerl Rudi / Weis Rolf
Info Zentrale:	Willmann Rudi / Scharl Hans
OK Verpflegung:	Tannheimer Sina/ Schwegler Christoph





Press Center



Press Center

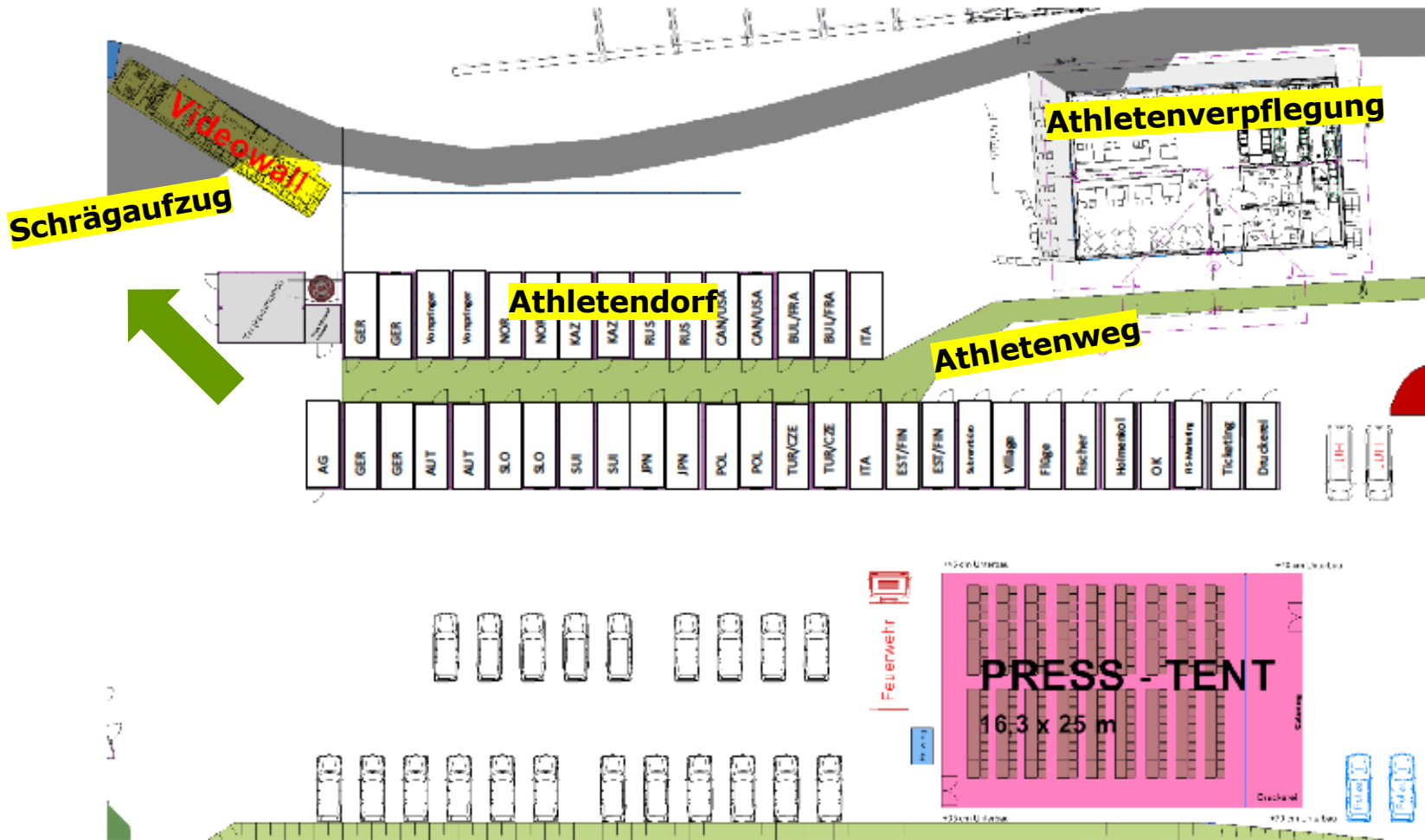
Heini-Klopfer-Skiflug Schanze

Adress: Birgsautal, 87561 Oberstdorf

The opening hours are as follows:

24.01.2025	12:00 – 19:00
25.01.2025	12:00 – 19:30
26.01.2025	12:00 – 19:00

Overview Skiflying Hill





Pressconference

- There are currently no press conferences planned. In the event of changes, the dates will be announced in good time in the press tent.
- Statements from the top 3 will be released via the DSV and FIS WhatsApp group and via the homepage at skifliegen-oberstdorf.com/media-presse
- All press information, statements and much more can be found here: skifliegen-oberstdorf.com/media-presse



Presscatering

- There is a small catering service
- Snacks such as fruit, sandwiches, sweets, soft drinks and hot drinks are available.
- **Note:** Please finish your bottles in the press center and return them there. If this does not work, we will unfortunately be forced to charge a deposit next year.



Photographers

Photo briefing in the press tent

Friday, 24.01.2025 at 1 pm

Saturday, 25.01.2025 at 1 pm

Photobibs

Issue in the press tent at the ski jump

Deposit: 10 Euro

Return: After the event in the press tent

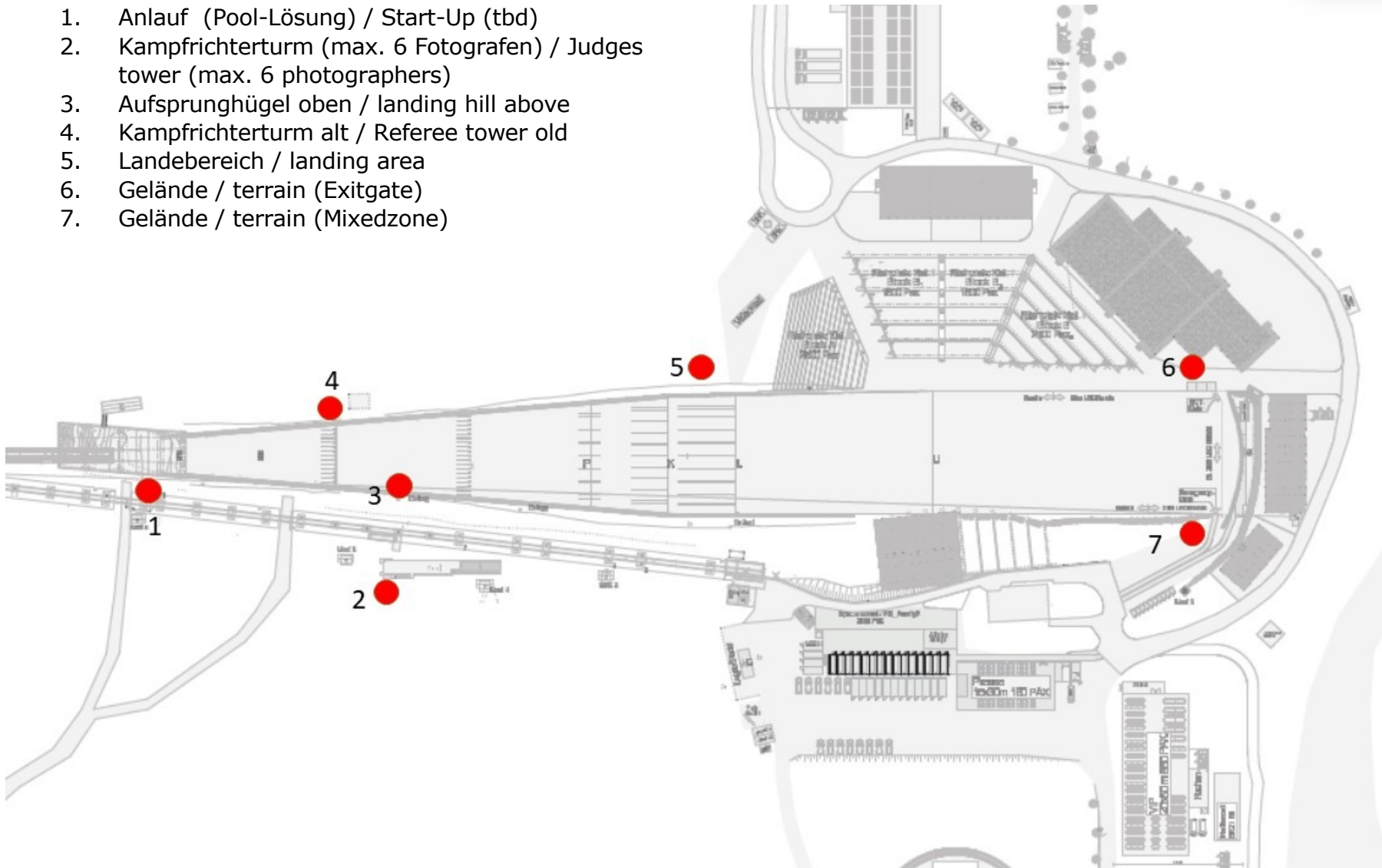
Photo position ski jump tower

tbd

Photo Zones



1. Anlauf (Pool-Lösung) / Start-Up (tbd)
2. Kampfrichterturm (max. 6 Fotografen) / Judges tower (max. 6 photographers)
3. Aufsprunghügel oben / landing hill above
4. Kampfrichterturm alt / Referee tower old
5. Landebereich / landing area
6. Gelände / terrain (Exitgate)
7. Gelände / terrain (Mixedzone)





Ceremonies

Ceremonys



Saturday, 25.01.2025

After the competition

19.30

Winners Presentation in the stadium

Official award ceremony in the Kurpark Oberstdorf

Sunday, 26.01.2025

After the competition

award ceremony in the stadium

Official award ceremony for the TOP3 of the competition



Contact

Contact information



OC

Stefan Weidhaas/Elke
Wiartalla

media@svg.ski

Mediacoordinator FIS

Horst Nilgen

nilgen@fis-ski.com

Mobil: 0041 79 395 4480

Mediacoordinator DSV

Ralph Eder

Ralph.eder@deutscherskiverband.de

mobil: 0049(0) 151 15053055